
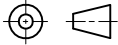


**SOURCE DRAWING - FOR REFERENCE ONLY**

**NOTES:**

1. DIMENSIONS/TOLERANCES SHOWN FOR REFERENCE ONLY. PART TO CONFORM TO SAE 140140.
2. REPRESENTATIVE MATERIAL, BUT NOT LIMITED TO:  
DANFOSS: 2081-12-8S, GRAINGER: 2F429
3. TURCK DRAWING REVISION FOR INTERNAL TRACKING PURPOSES ONLY. MANUFACTURER PART REVISION NOT TO BE INSPECTED AGAINST THIS TURCK DRAWING REVISION.

RELATED DOCUMENTS		3RD ANGLE PROJECTION		THIS DRAWING IS CONFIDENTIAL AND THE PROPERTY OF TURCK INC. USE OF THIS DOCUMENT WITHOUT WRITTEN PERMISSION IS PROHIBITED.		 3000 CAMPUS DRIVE MINNEAPOLIS, MN 55441 1-800-544-7769 (763) 553-7300 (763) 553-0708 fax www.turck.us	
1. 2. 3. 4.				DRFT NF	DATE 03/26/25	DESCRIPTION	
MATERIAL 316 STAINLESS STEEL		ALL DIMENSIONS DISPLAYED ON THIS DRAWING ARE FOR REFERENCE ONLY		APVD I.K.	SCALE 1=1.0	ADAPTER 3/4NPT TO 1/2NPT	
FINISH		CONTACT TURCK FOR MORE INFORMATION		UNIT OF MEASUREMENT <b>INCH [ MILLIMETER ]</b>		IDENTIFICATION NO.	REV
A DRAWING RELEASE		NF	04/03/25	DO NOT SCALE THIS DRAWING		A9118	A
REV	DESCRIPTION	BY	DATE	ECO NO.	FILE: A9118	SHEET 1 OF 1	